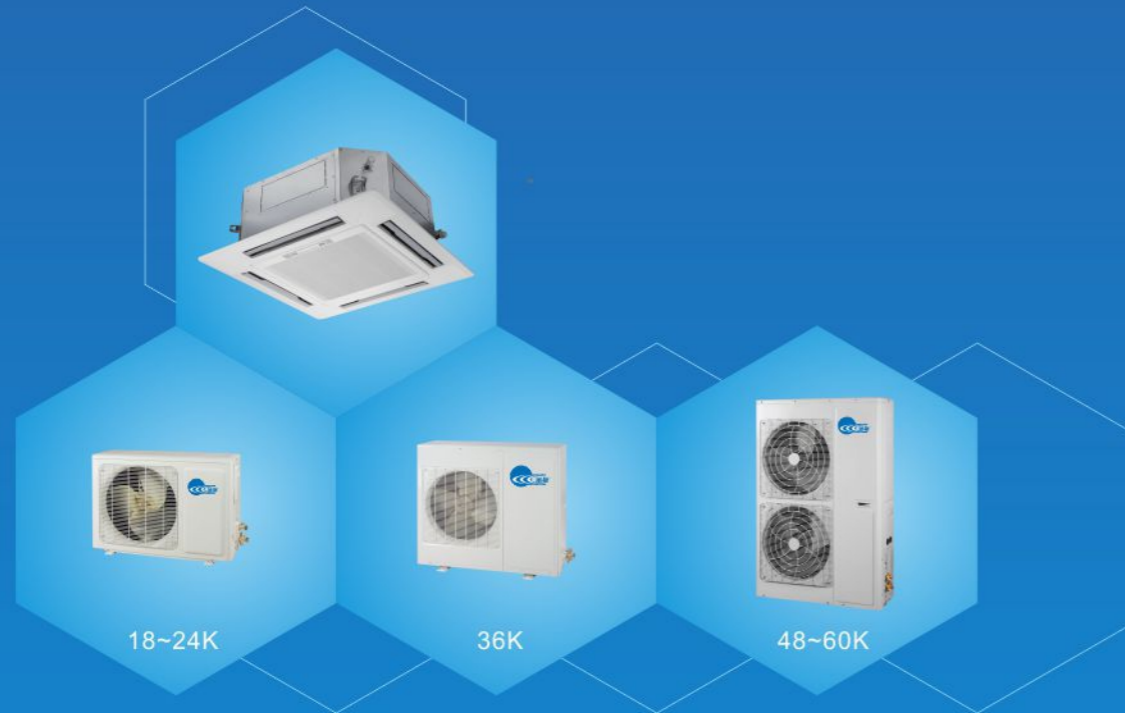


**Jet-Air**  
Cool, Warm & Collected

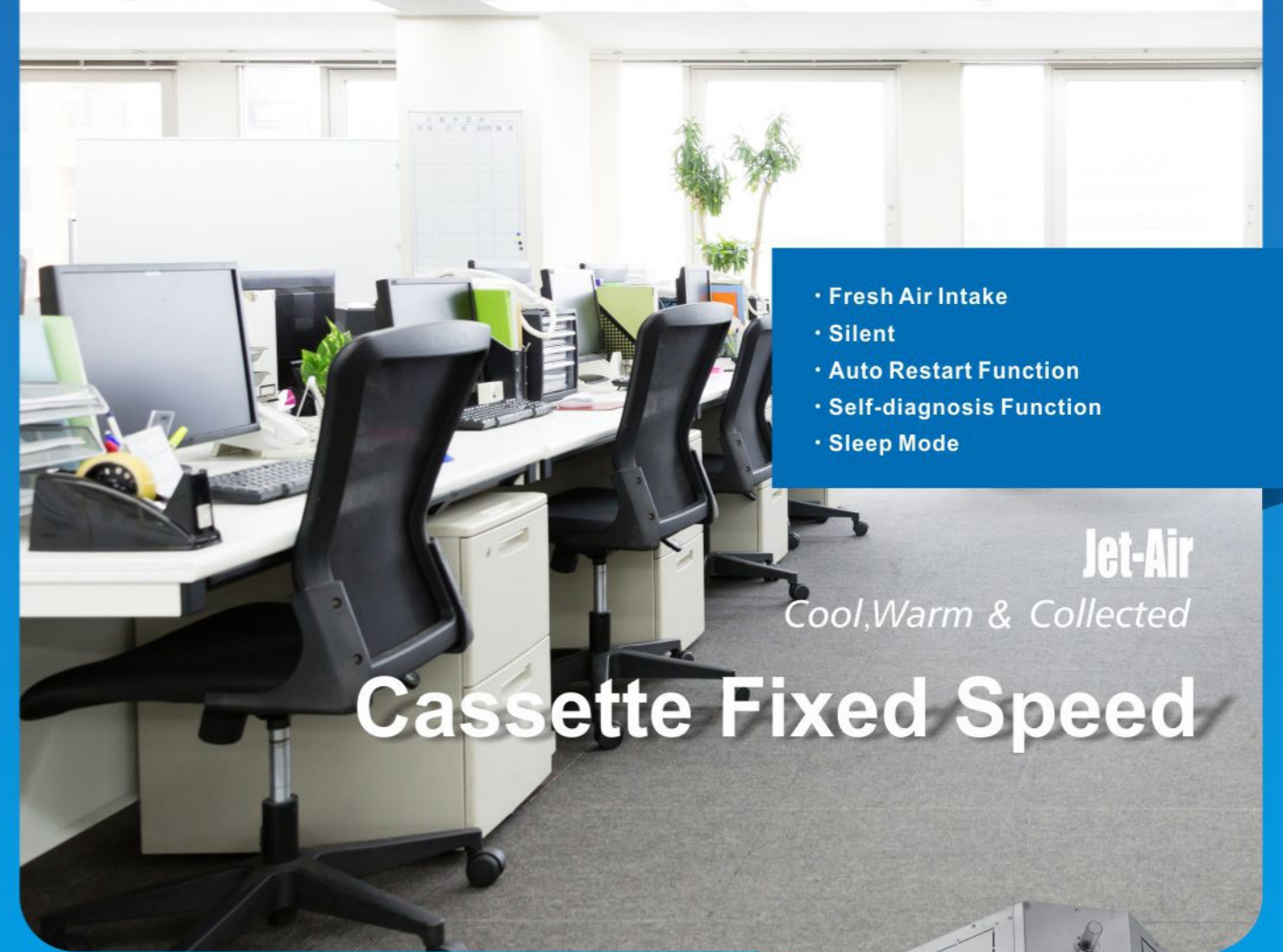


[www.jet-air.co.za](http://www.jet-air.co.za)

Due to **JASA** policy of constant improvement, specifications are subject to change without prior notice.

Remarks: Cooling capacities are based on indoor air temp. 27°C DB, 19°C WB and outdoor air temp. 35°C DB, 24°C WB. The above specifications are subject to change without prior notice for product improvement.

E.&O.E.



- Fresh Air Intake
- Silent
- Auto Restart Function
- Self-diagnosis Function
- Sleep Mode

**Jet-Air**  
Cool, Warm & Collected

## Cassette Fixed Speed



**R410A**

Proudly distributed by

**JASA**  
Smart Home

**Johannesburg** (011)708 1148  
**Pretoria** (012)752 8777  
**East Rand** (011)823 2119  
**Cape Town** (021)823 8866

**Durban** (031)577 0498  
**Nelspruit** (013)752 3258  
**Port Elizabeth** (041)364 0947  
**Botswana** (00267)262 2909



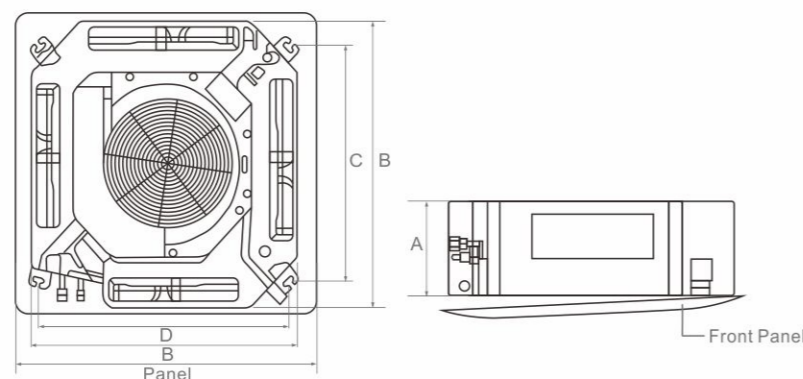
# Cassette Fixed Speed

## Technical Specifications



Model	Indoor		JASA-Ca-H12A4/R	JASA-Ca-H18A4/R	JASA-Ca-H24A4/R	JASA-Ca-H36A4/R	JASA-Ca-H36A5/R	JASA-Ca-H48A5/R	JASA-Ca-H60A5/R		
	Outdoor		JASA-H12A4/R	JASA-H18A4/R	JASA-H24A4/R	JASA-H36A4/R	JASA-H36A5/R	JASA-H48A5/R	JASA-H60A5/R		
Power Supply	V~,Hz,Ph		220~240,50,1	220~240,50,1	220~240,50,1	220~240,50,1	380~415,50,3	380~415,50,3	380~415,50,3		
Capacity	Cooling	Btu/h	12000	18000	24000	36000	36000	48000	60000		
		kW	3.52	5.28	7.03	10.60	10.60	14.07	17.60		
	Heating	Btu/h	13500	19100	26900	39920.4	39920	53057	63500		
		kW	3.96	5.60	7.88	11.70	11.70	15.55	18.50		
Electric Data	Rated Cooling Power Input		kW	1.16	1.70	2.26	3.77	3.77	4.85	6.26	
	Rated Heating Power Input		kW	1.22	1.64	2.31	3.50	3.50	4.80	5.78	
	Rated Cooling Current		A	5.32	7.80	10.37	17.30	6.76	9.10	11.34	
	Rated Heating Current		A	5.60	7.52	10.60	16.60	6.28	9.00	10.36	
Performance	EER/COP		W/W	3.03/3.24	3.10/3.41	3.11/3.41	2.81/3.34	2.81/3.34	2.90/3.24	2.81/3.20	
Indoor Unit	Indoor Air Flow (Hi/Mi/Lo)		m <sup>3</sup> /h	750/650/580	800/730/660	1200/950/800	1500/1200/1050	1500/1200/1050	1800/1440/1260	1800/1440/1260	
	Noise Level(Hi/Mi/Lo)		dB(A)	41/40/32	45/40/32	45/42/36	48/45/39	48/45/39	53/51/47	53/51/47	
	Dimension (W×D×H)	Net(Body)		mm	570×570×260	570×570×260	835×835×250	835×835×250	835×835×290	835×835×290	
		Packing(Body)		mm	655×655×295	655×655×295	910×910×310	910×910×310	910×910×350	910×910×350	
		Net(Panel)		mm	650×650×55	650×650×55	950×950×55	950×950×55	950×950×55	950×950×55	
		Packing(Panel)		mm	710×710×80	710×710×80	1000×1000×100	1000×1000×100	1000×1000×100	1000×1000×100	
	Weight	Net/Gross(Body)		kg	17.0/20.0	19.0/21.0	25.0/29.0	27.0/30.0	28.0/32.0	28.0/32.0	
		Net/Gross(Panel)		kg	2.2/3.7	2.2/3.7	5.3/7.8	5.3/7.8	5.3/7.8	5.3/7.8	
	Outdoor Unit	Noise Level		dB(A)	53	55	57	60	60	60	
		Dimension (W×D×H)	Net		mm	730×285×545	800×315×545	825×310×655	970×395×805	970×395×805	940×370×1325
Packing			mm	850×370×620	920×400×620	945×435×725	1105×495×890	1105×495×890	1080×430×1440		
Weight		Net/Gross		kg	28/32	42/45	53/56	65/75	65/75	95/105	99/109
Refrigerant Type			g	R410A/750	R410A/1250	R410A/1750	R410A/2200	R410A/2150	R410A/3000	R410A/3000	
Refrigerant Pipe	Liquid Side		inch	1/4"	1/4"	3/8"	3/8"	3/8"	3/8"	3/8"	
	Gas Side		inch	1/2"	1/2"	5/8"	5/8"	5/8"	3/4"	3/4"	
	Max. Length		m	15	20	20	30	30	50	50	
	Max. Height		m	10	15	15	20	20	30	30	

Indoor Dimension				
Model	A(mm)	B(mm)	C(mm)	D(mm)
JASA-Ca-H12A4/R	260	570	511	463
JASA-Ca-H18A4/R	260	570	511	463
JASA-Ca-H24A4/R	250	835	679	778
JASA-Ca-H36A4/R	250	835	679	778
JASA-Ca-H36A5/R	250	835	679	778
JASA-Ca-H48A5/R	290	835	679	778
JASA-Ca-H60A5/R	290	835	679	778



Outdoor Dimension				
Model	W1(W2)xHxD(mm)	Packing Dimension(mm)	A(mm)	B(mm)
JASA-Ca-H12A4/R	730(780)x285x545	850x370x620	540	285
JASA-Ca-H18A4/R	800(860)x315x545	920x400x620	545	315
JASA-Ca-H24A4/R	825(893)x310x655	945x435x725	540	335
JASA-Ca-H36A4/R	970(1044)x395x805	1105x495x890	675	409
JASA-Ca-H36A5/R	970(1044)x395x805	1105x495x890	675	409
JASA-Ca-H48A5/R	940(1010)x370x1325	1080x430x1440	625	364
JASA-Ca-H60A5/R	940(1010)x370x1325	1080x430x1440	625	364

