

JASA-KM35A / JASA-KM35C



JASA-KM35A



JASA-KM35C

Features:

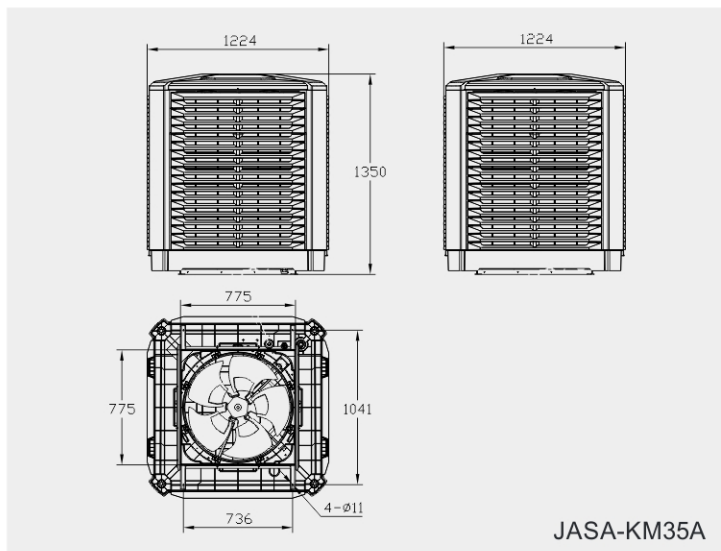
- High Performance Cooling Pads
- Wired remote controller with running status LED display
- Optimized motor and fan to deliver low noise and powerful airflow
- Auto Clean available to keep tank and water clean all the time and thereby also prevent frequent clogging of pads
- Easy installation and maintenance
- High quality air pre-filter to protect the cooling pad

Target Applications:

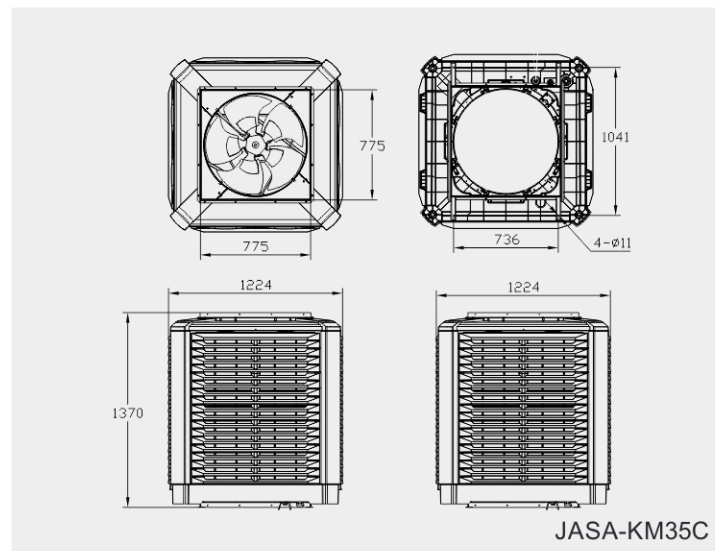
- Automobile Assemble and Accessories Factories
- Plastic Injection and Rubber Factories
- Textile Mills
- Hardware Processing Factories
- Maintenance Workshops of High-speed Trains
- Parks

SPECIFICATIONS

Model		JASA-KM35A	JASA-KM35C
Air Discharge		Bottom	Top
Nominal Max Airflow	m ³ /h	35000	35000
Max Static Pressure	pa	400	400
Voltage/Hertz/Phase	V/Hz/Ph	380-415/50/3	380-415/50/3
Motor Power	KW	3.0	3.0
Cooling Capacity	KW	97	97
Evaporative Efficiency	%	90	90
Evaporative Capacity	L/h	145	145
Sound pressure Level@1m	dB(A)	74	74
Water Tank volume	L	40	40
Air Outlet Dimensions	mm	777x777	777x777
Unit Size(WxDxH)	mm	1225x1225x1350	1225x1225x1370
Net Weight	Kg	103	113
Running Weight	Kg	171	181



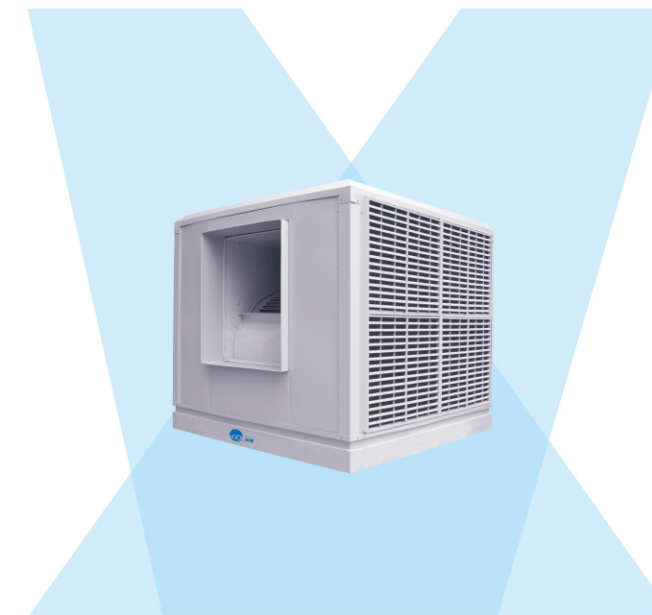
JASA-KM35A



JASA-KM35C

Under test condition DB 38°C/WB 23°C
Above specifications and external appearance are subject to change without prior notice, please in kind prevail.

JASA-KT40B / JASA-KT60B



Features:

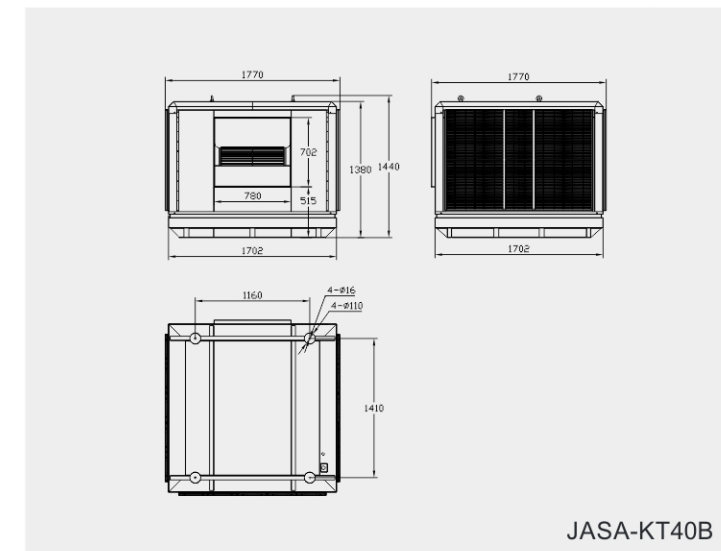
- High Performance Cooling Pads
- High air pressure and long distance air delivery
- Stainless steel chassis to extend the service life
- Auto-clean available to prolong the service life of the cooling pads
- High quality air pre-filter to protect the cooling pad
- Easy to operate and maintain

Target Applications:

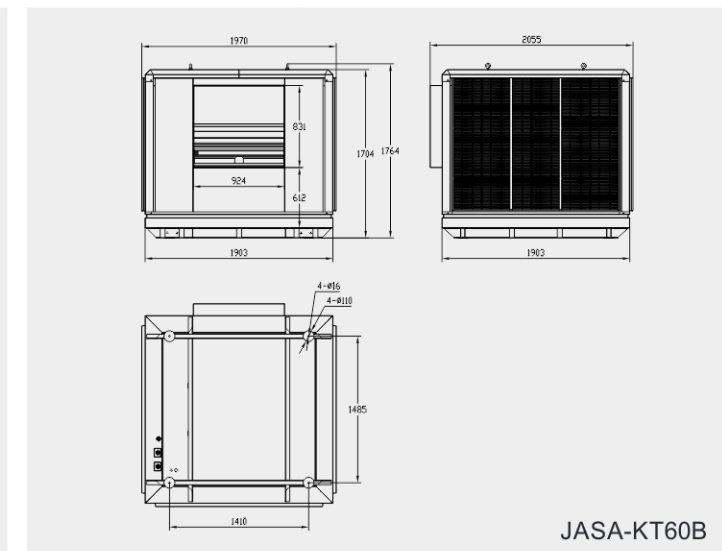
- Factory plants
- Supermarkets
- Large-scale factory workshops
- Entertainment Centers
- Hospitals

SPECIFICATIONS

Model		JASA-KT40B	JASA-KT60B
Nominal Max Airflow	m ³ /h	40000	60000
Voltage/Hertz/Phase	V/Hz/Ph	380-415/50/3	380-415/50/3
Power Consumption	KW	7.5	15.0
Cooling Capacity	KW	150	260
Evaporative Efficiency	%	84	84
Evaporative Capacity	L/h	220	380
Sound pressure Level@1m	dB(A)	82.5	86
Water Tank volume	L	80	100
Air Outlet Dimensions	mm	782x700	926x834
Unit Size(WxDxH)	mm	1770x1770x1440	2055x1970x1700
Net Weight	Kg	450	630
Running Weight	Kg	555	755



JASA-KT40B



JASA-KT60B

Under test condition DB 38°C/WB 23°C
Above specifications and external appearance are subject to change without prior notice, please in kind prevail.