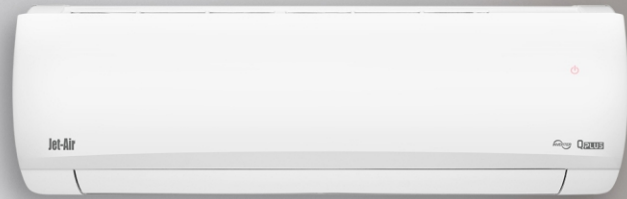




Jet-Air
Cool, Warm & Collected



QPLUS INVERTER

- 10 Year Inverter Compressor Warranty
- Wired Controller (Optional Extra)
- 3D Airflow
- 7 Fan Speed Mode (Indoor)
- Energy Saving
- Wide Voltage Range
- Gold Fin
- I Feel



Wired Controller
(Optional Extra)



3D Airflow



7 Fan Speed

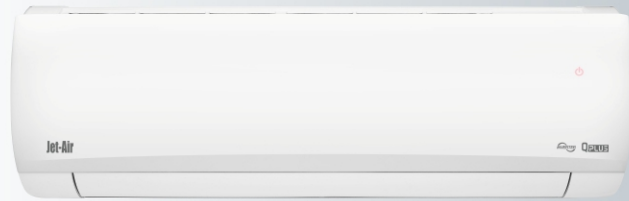


Proudly distributed by

JASA
Smart Home

Johannesburg (011)708 1148
Pretoria (012)752 8777
East Rand (011)823 2119
Cape Town (021)823 8866

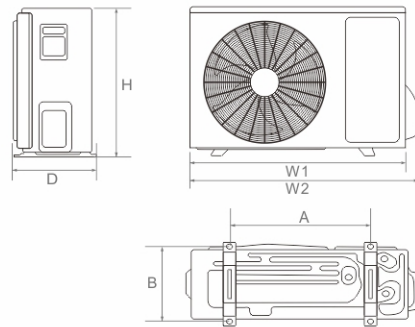
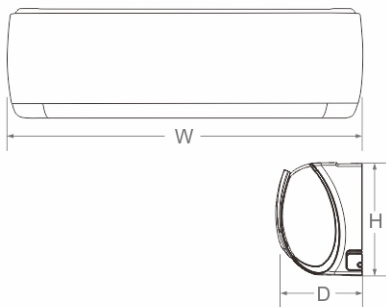
Durban (031)577 0498
Nelspruit (013)752 3258
Port Elizabeth (041)364 0947
Botswana (00267)262 2909



Model			JASA-H09A4/QBI	JASA-H12A4/QCI	JASA-H18A4/QDI	JASA-H24A4/QEI	JASA-H30A4/QEI	JASA-H36A4/QEI
Power Supply		V~,Hz,Ph	220~240,50,1	220~240,50,1	220~240,50,1	220~240,50,1	220~240,50,1	220~240,50,1
Capacity	Cooling	W	2650	3500	5100	7034	8900	10550
	Heating	W	2700	3650	5200	7034	9700	10550
Performance		EER/COP	3.45/4.00	3.01/3.68	3.01/3.41	3.21/3.61	3.41/3.70	3.52/3.80
Electric Data	Rated Cooling Power Input	W	768	1162	1694	2191	2610	3000
	Rated Heating Power Input	W	675	992	1525	1954	2621	2776
	Rated Cooling Current	A	3.40	4.82	7.23	9.77	11.50	13.50
	Rated Heating Current	A	3.00	4.80	6.42	8.90	11.60	13.00
Indoor	Indoor Air Flow	m ³ /h	610/570/540/470/ 440/420/390	680/620/560/490/ 450/420/390	850/800/750/700/ 680/650/630	1250/1150/1050/950/ 870/800/700	1500/1100/1050/950/ 900/850/800	1450/1100/1050/950/ 850/800/750
	Noise Level	dB(A)	40/37/36/33/31/29/28	42/38/36/34/32/30/28	47/44/42/41/38/36/35	48/45/42/39/36/34/31	53/46/44/41/40/38/36	52/45/43/40/38/36/34
	Outline Dimension (W×H×D)	mm	894×291×211	894×291×211	972×300×225	1081×325×248	1075×333×246	1075×333×246
	Package Dimension (W×H×D)	mm	948×365×289	948×365×289	1017×366×289	1137×407×334	1133×414×333	1133×414×333
	Weight Net/Gross	kg	11.0/13.0	11.0/13.0	13.5/16.0	17.0/20.0	16.5/19.5	16.5/19.5
Outdoor	Noise Level	dB(A)	51	52	56	56	60	62
	Outline Dimension (W×H×D)	mm	732×555×330	732×555×330	732×555×330	958×660×402	958×660×402	1000×746×427
	Package Dimension (W×H×D)	mm	794×615×376	794×615×376	794×615×376	1032×737×456	1032×737×456	1080×810×483
	Weight Net/Gross	kg	24.5/27.0	24.5/27.0	27.0/29.5	43.0/47.5	42.0/46.5	50.0/55.0
Refrigerant Type		g	R410A/640	R410A/700	R410A/1000	R410A/1500	R410A/1600	R410A/1800
Refrigerant Pipe	Gas	inch	3/8"	3/8"	1/2"	5/8"	5/8"	5/8"
	Liquid	inch	1/4"	1/4"	1/4"	1/4"	1/4"	1/4"
	Max Length	m	15	20	25	25	25	25
	Max Height	m	10	10	10	10	10	10

Indoor Dimension		
Model	WxHxD(mm)	Packing Dimension
JASA-H09A4/QBI	894×291×211	948×365×289
JASA-H12A4/QCI	894×291×211	948×365×289
JASA-H18A4/QDI	972×300×225	1017×366×289
JASA-H24A4/QEI	1081×325×248	1137×407×334
JASA-H30A4/QEI	1075×333×246	1133×414×333
JASA-H36A4/QEI	1075×333×246	1133×414×333

Outdoor Dimension			
Model	W1(W2)xHxD(mm)	Packing Dimension	AxB(mm)
JASA-H09A4/QBI	685(732)×555×330	794×615×376	455×312
JASA-H12A4/QCI	685(732)×550×330	794×615×376	455×312
JASA-H18A4/QDI	685(732)×555×330	794×615×376	455×312
JASA-H24A4/QEI	948(958)×660×402	1032×737×456	570×370
JASA-H30A4/QEI	948(958)×660×402	1032×737×456	570×370
JASA-H36A4/QEI	923(1000)×746×427	1080×810×483	609×395



Due to **JASA** policy of constant improvement, specifications are subject to change without prior notice.

Remarks: Cooling capacities are based on indoor air temp. 27°C DB, 19°C WB and outdoor air temp. 35°C DB, 24°C WB. The above specifications are subject to change without prior notice for product improvement.

E.&O.E.

